



USB/RS232 2D Fixed Mounted Scanner



Model: NuScan 4400T

QuickGuide

English

www.adesso.com

①

②

CONTENTS

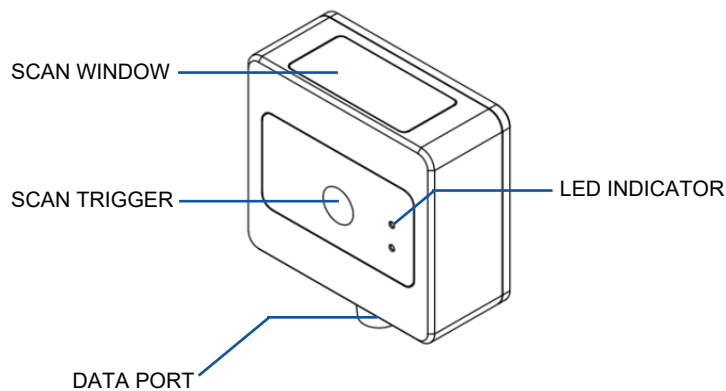


NuScan 4400T



Quick Start Guide

DESCRIPTION



④

LIMITED WARRANTY

ADESSO provides one year limited warranty for the quality of all its products in materials and workmanship.

During this period, ADESSO will repair or replace all merchandise, which proved to be defective. However, ADESSO will not warranty any product which has been subjected to improper freight Handling, shipping abuse, neglect or unauthorized repair or installation. The warranty also will not cover products installed with Non-ADESSO components and product with broken sealed and assembly trace. After replacement of RMA, ADESSO reserves the right to request the total cost of the replacement products with broken seals or assembly trace.

If you discover a defect, Adesso will, at its option, repair or replace the product at no charge to you, provided you return it during the warranty period with transportation charges pre-paid to Adesso. You must contact Adesso at support@adesso.com for a Return Merchandise Authorization number (RMA) prior to returning any product. For each product returned for warranty service, please include your name, shipping address (no P.O. Box), telephone number, copy of the bill of sale as proof of purchase and have the package clearly marked with your RMA number.

SUPPORT

FAQ's: <http://www.adesso.com/faqs>

Email Support: support@adesso.com

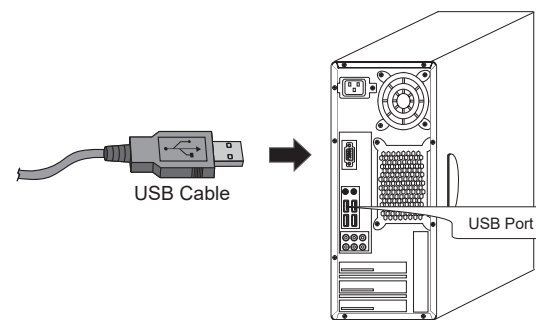
Telephone Support:
Toll Free: (800) 795-6788
9:00AM to 5:00PM PST Monday - Friday

INSTALLATION

1. Connect the RJ45 connector into the RJ45 port.



2. Connect the USB end of the cable into a USB port on your device.
The Operating System will automatically detect the scanner.



⑤

INTRODUCTION

Designed primarily for P.O.S. retail environments, the Adesso NuScan 4400T is a hands-free heavy-duty desktop barcode scanner that allows you to continuously and rapidly scan various barcoded items without omissions or errors on first-pass reads. Its built-in 650 nm engine and fast 30 FPS scan rate allow you to reliably read barcodes on various shapes and is a great space-saver for busy or limited workspaces.

SPECIFICATIONS

Imager:	1280 x 800 CMOS
Light Source:	650 ± 10 nm visible red LED & White
Depth of Field:	0-12 inches (@20mil EAN-13, PC 100%)
Scan Angle:	Roll: ±360°, Pitch: ±70°, Yaw: ±70°
Motion Tolerance:	24 inches per second (IPS)
Minimum Bar Width (1D):	90mm-240mm, 5mm*5mm, Code 39
Minimum Bar Width (2D):	30mm-135mm, 14mm*7mm, PDF417
Print Contrast:	PCS 20% EAN13 @13mil
Communication:	USB/RS232
Indicators (LED):	Red
Alert Operation:	Programmable Beeper Tone
Input Voltage:	3.3 ± 5% VDC
Dimensions:	2.16 (L) x 1.96 (W) x 0.94 (H) in. (55 x 50 x 24 mm)
Weight:	2.96 oz. (44 grams, excluding cable)
Cable:	3' 4" (1 meter)
Light Levels:	Max 100,000 lux

REQUIREMENTS

- Operating system: Windows 10, 8, 7, Vista, XP, 2000 Mac OS X and above
- Connectivity Interface: USB port

③

CAUTION

To avoid damage to the eyes. Do not look directly into the laser beam.

USAGE TIP

Start-up: Connect host computer with scanner, which will automatically start-up and in working state.

Shutdown: Remove the data cable which is connected with scanner, remove the USB which is connected with host computer.

Standby: Scanner with automatic sleep standby function, if 30 minutes pass by without work it will be in standby mode, but it will automatically start-up when a barcode approaches.

MAINTENANCE

Cleaning the scan window is the only maintenance required. A dirty window may affect scanning accuracy. Wipe the scanner window gently with a lens tissue or other material suitable for cleaning optical material.

SYMBOLOGIES

Addendum 2 of 5, China Postage, Codabar, Code 11, Code 128, Code 32, Code 39, Code 93, EAN-13, EAN-8, EAN 99, EAN-Velocity, Industrial 2 of 5, Interleaved 2 of 5, ISBN/ISSN, JAN-13, JAN-8, MSI/ Plessy, RSS-Limited, RSS-Expanded, UPC-A, UPC-E

⑥

SET UP INTERFACE

FACTORY RESET



USB-HID (Default)



Serial Port



Inverse Barcode



SCANNING MODES



Trigger Mode (Default)



Handsfree Mode



Normal Output

Perform normal default output



Enter

The message terminator is set as "Enter" in default. Perform **Enter** after scanning.



Tab

Perform **Tab** after scanning.

Note:

If you need to make changes in the configuration of the scanner for specific applications, a full Programming Guide can be downloaded at: http://adesso.com/UploadFiles/Nuscan_4400T_User_Manual.pdf

⑦

⑧

FACTORY DEFAULT VALUES

Function	Symbologies	Default
Symbologies ON/OFF	Code 11	ON
	Code 25-Interleaved	ON
	Code 25-Standard	ON
	Code 25-Matrix	ON
	Code 39-Regular	ON
	Code 39-FullASCII	ON
	Code 32	ON
	Code 93	ON
	Code 128	ON
	Codabar	ON
	EAN-8	ON
	EAN/JAN-13	ON
	UPC	ON
	ISSN	ON
	Gs1-databar(RSS)	OFF
	Gs1-databar(limited)	OFF
	MSI	OFF
Industrial 2 of 5	ON	
ITF 6	ON	
ITF 14	ON	
ISBN 13	ON	

⑨