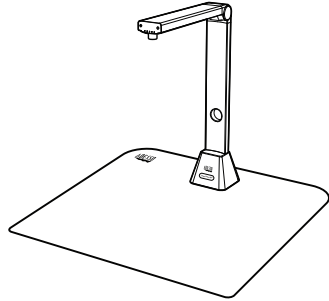




CyberTrack 820 Document Camera

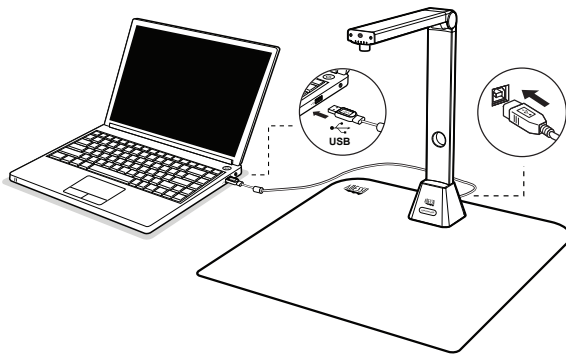


Quick Guide English

www.adesso.com

Hardware Installation

1. Plug the supplied USB cable to the back of the CyberTrack 820 and connect other end into an available USB port on your computer.



2. Adesso CyberTrack 820 will connect automatically to your computer. (Adesso CyberTrack 820 is a driverless device used with Windows 10, 8, 7, Vista or XP operating systems. Your computer will recognize the device under the Cameras in the Windows Device Manager menu.)

4

LIMITED WARRANTY

ADESSO provides one year limited warranty for the quality of all its products in materials and workmanship.

During this period, ADESSO will repair or replace all merchandise, which proved to be defective. However, ADESSO will not warranty any product which has been subjected to improper freight Handling, shipping abuse, neglect or unauthorized repair or installation. The warranty also will not cover products installed with Non-ADESSO components and product with broken sealed and assembly trace. After replacement of RMA, ADESSO reserves the right to request the total cost of the replacement products with broken seals or assembly trace.

If you discover a defect, Adesso will, at its option, repair or replace the product at no charge to you, provided you return it during the warranty period with transportation charges pre-paid to Adesso. You must contact Adesso at support@adesso.com for a Return Merchandise Authorization number (RMA) prior to returning any product. For each product returned for warranty service, please include your name, shipping address (no P.O. Box), telephone number, copy of the bill of sale as proof of purchase and have the package clearly marked with your RMA number.

SUPPORT

FAQ's: <http://www.adesso.com/faqs>

Email Support: support@adesso.com

Telephone Support:
Toll Free: (800) 795-6788
9:00AM to 5:00PM PST Monday - Friday

MORE LANGUAGES



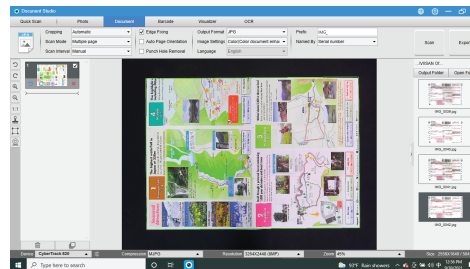
2

Getting Started

1. Scan QR code or use the below link to download the Adesso Document Studio.
https://www.adesso.com/download/Adesso_Document_Studio.zip
2. To start the program, please double click on the Adesso Document Studio Software icon on the desktop or click Start Menu Windows icon then [All apps] to select Adesso Document Studio Software.
3. Place a document on the position pad and align to position mark.
4. Select one of the function to scan your material from the main menu. You can make changes for your preferences in the settings menu and then click [Scan] button for scan a document.



Download

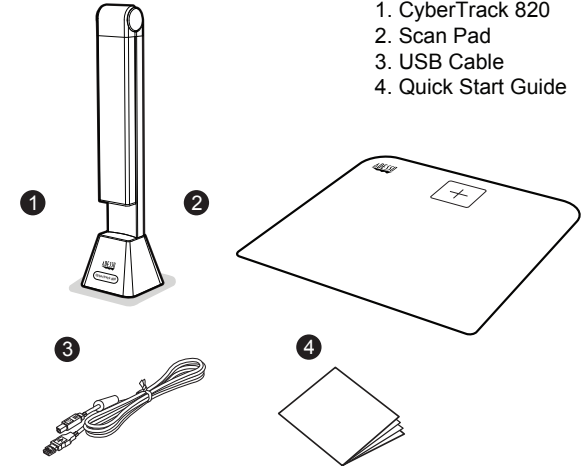


5

Overview

Before use, make sure the following items are included in the package. If anything is missing, contact the retailer where you purchased the CyberTrack 820 product.

1. CyberTrack 820
2. Scan Pad
3. USB Cable
4. Quick Start Guide



3

Software Functions

The Adesso Document Studio software provides the following scanning modules. You can select a function mode by clicking the menu tab.

Mode	icons	Description
Quick Scan		The quick scan function allows setting a quick scan button with a specific function.
Photo		The photo mode function allows you to take a snapshot by using the camera scanner device and save them into a BMP, JPG, PNG, or TIFF file format.
Document		The Document mode is used for scan documents, business cards, ID cards or any paper sheets, this function tab embedded a powerful image processing algorithms, such as repairing the damaged edges of documents or rotating pages based on text orientation, it allows scanning to a JPEG or PDF file directly, even creating OCR and then converting scanned files into editable Word/Text/Excel formats.
Barcode		The Barcode mode is for scanning and recognizing the barcode or QR code then saving results into JPEG/Text/Excel /PDF.
Visualizer		The visualizer function allows recording video tutorials or projecting your laptop screen with connected a projector plus using the embedded whiteboard tool function during the meeting.
OCR		The OCR function allows to convert a batch scanned images into a searchable PDF or editable Word, Excel, and Text formats, it supports more than 100 different languages.

NOTE: For the more detailed operation of Adesso Document Studio, you can download the user's manual from Adesso's website.

6