



# EasyTouch™ 1100

## Compact Mechanical Keyboard



Model: EasyTouch-1100

## Quick-Start Guide

adesso.com

EN

### LIMITED WARRANTY

#### Adesso One-Year Limited Warranty

Adesso provides a one-year limited warranty on all its products, covering defects in materials and workmanship. During this period, Adesso will repair or replace any product found to be defective. However, this warranty does not cover products subjected to improper freight handling, shipping abuse, neglect, improper installation, or unauthorized repairs. Additionally, the warranty will not apply to products installed with non-Adesso-approved components or to products with a broken sealed assembly trace.

If you discover a defect, Adesso will, at its discretion, repair or replace the product at no charge, provided the product is returned within the warranty period with pre-paid freight charges. Before returning any product, you must obtain a Return Merchandise Authorization (RMA) number. This RMA number must be clearly marked on the outside of the package being returned for warranty service.

Be sure to include the following in the package:

- Your Full Name
- Shipping address (no P.O. boxes)
- Telephone number
- A copy of the invoice showing proof of purchase

### PRODUCT SUPPORT

We have made available product FAQ's (Frequently Asked Questions) at: [www.adesso.com/faq.php](http://www.adesso.com/faq.php)

**Email Support:** support@adesso.com

**Toll Free Support:** (800) 795-6788

(9:00AM to 5:00PM PST Monday - Friday) Excluding State and Federal Holidays. Please allow 1-2 business days for replies.

### FEATURES

- Compact Design (88-Key Layout)
- 3x Bluetooth Connections
- 2.4 GHz Connection (Dongle Included)
- USB Type-C Port with Charging
- Red Key Switches with Long-Lasting Performance (50 Million Keystrokes)
- Controllable RGB LED Backlit Keys
- Removable & Interchangeable Keycaps
- Removable & Interchangeable Key Switches
- Customizable Firmware with QMK Compatibility ([qmk.fm](http://qmk.fm))
- Custom Macro and LED Customization with VIA Software ([caniusevia.com](http://caniusevia.com))

### SPECIFICATIONS

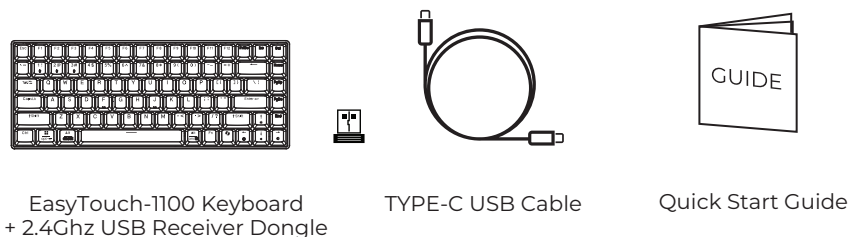
Key Layout:	88-key US Layout
Type:	Mechanical Switch (Red)
Battery:	4000 mAh
Illumination:	LED / RGB
OS Layout:	Multi-OS
Connection:	Wired USB / 2.4GHz / Bluetooth
Cable Length:	6 Ft
Dimensions:	14.3 x 5.3 x 1.5" (365x136x38.5mm)
Weight:	2.07 lbs. (940g)

### REQUIREMENTS

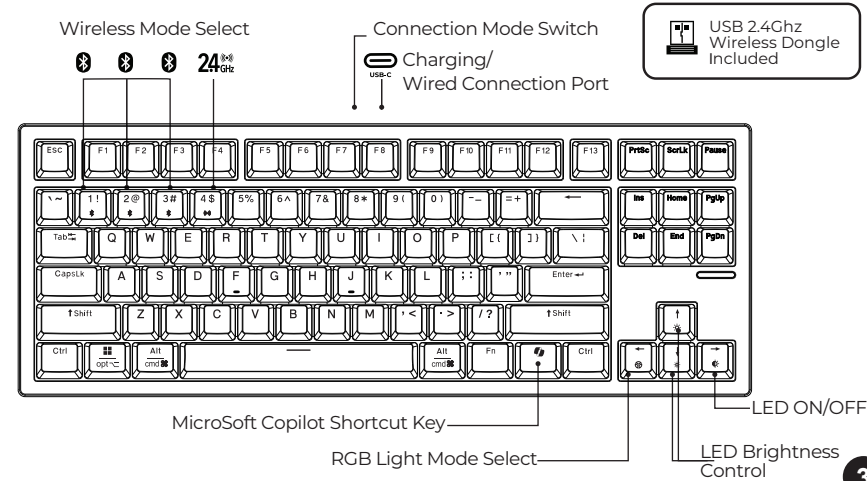
**Compatibility:** Windows® 7/8/10/11 / Mac os 10.4 and above  
Bluetooth® Enabled Devices.

**Connectivity:** Wired USB (Type-C) / Wireless 2.4GHz / Bluetooth®

### WHAT'S INCLUDED



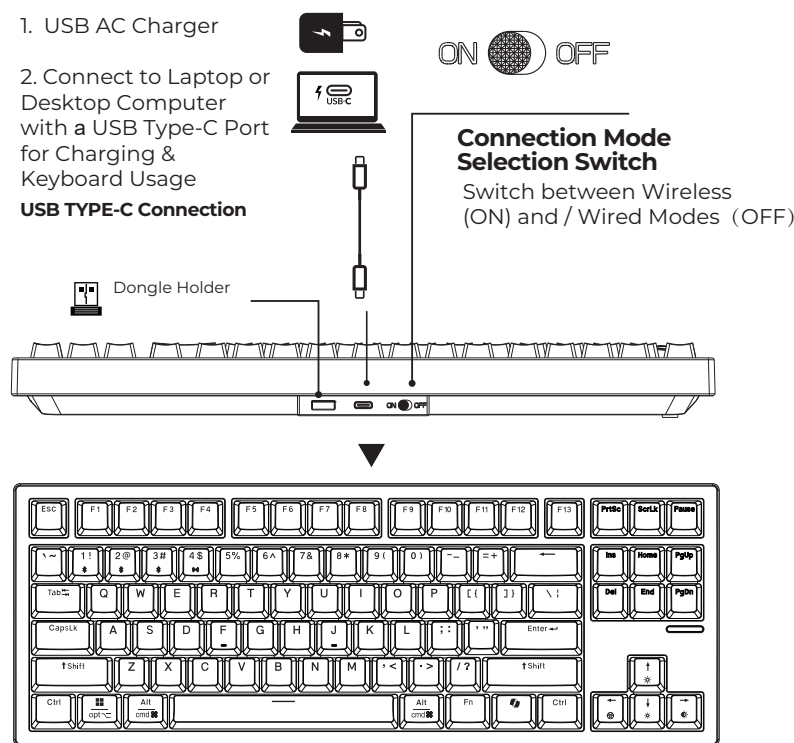
### KEYBOARD OVERVIEW



3

### CHARGING & CONNECTION MODES

Use the Included USB Type-C cable to charge and connect.

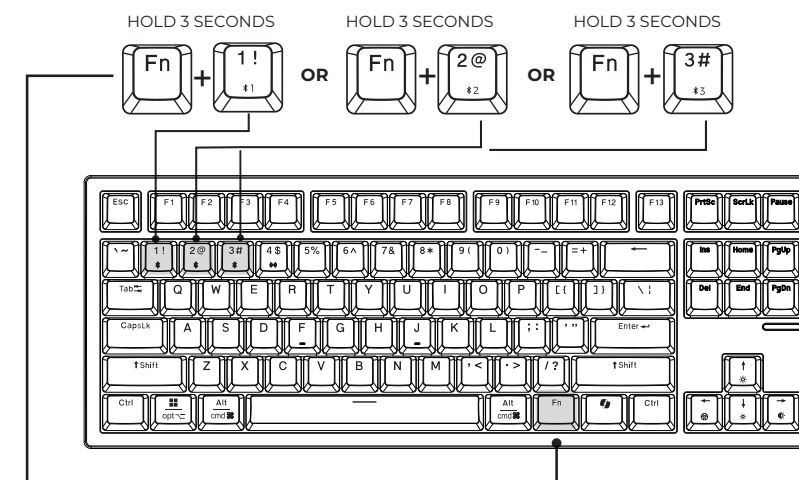


4

### BLUETOOTH CONNECTION SETUP

**STEP 1.** Set the connection mode to ON (see page. 4) **ON** **OFF**

**STEP 2.** Enter Pairing Mode



**STEP 3.** Select "Adesso EasyTouch-1100" from the device's Bluetooth menu you are connecting to.



**TO SELECT A CONNECTION:**



5

### WIRELESS 2.4GHz SETUP

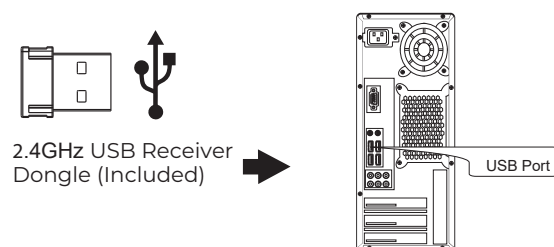
For ultra-low latency wireless performance and long range stability, the EasyTouch 1100 is equipped with built-in 2.4GHz connectivity.

**STEP 1.** Set the connection mode to ON (see page. 4), then press FN+4.



**STEP 2.**

Connect the included USB Receiver Dongle to a Windows or Apple Desktop PC or Laptop computer



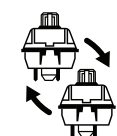
6

### CUSTOMIZATION OPTIONS



#### Swapping Keycaps

To swap out keycaps on this keyboard, use a keycap puller to gently lift each keycap off its switch, then align the new keycap with the switch stem and press firmly until it clicks to lock in place.



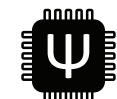
#### Swapping Key Switches

To swap out key switches on this keyboard, first remove the keycap using a keycap puller, then use a switch puller to gently grip and lift the key switch from the socket. Align the new switch with the socket, ensuring the pins are straight, and press firmly until it clicks securely into place.



#### Custom Macros and LED Customization with VIA

To create custom macros and LED effects, connect your keyboard to your computer via USB-C. Access <https://usevia.app/> or download the VIA app from <https://github.com/the-via/releases/releases/>. Navigate to the Keymap tab to assign macros or reprogram keys, and use the Lighting tab to customize LED colors, effects, and brightness. Save your configurations directly to the keyboard for seamless use across devices.



#### Custom Firmware and Key Mapping with QMK

To customize your keyboard with QMK, download the QMK Toolbox and firmware files from <https://qmk.fm/>. Connect your keyboard, put it into bootloader mode, and use the QMK Toolbox to flash your custom firmware. This allows you to fully customize key mappings, macros, and advanced features, saving the configurations directly to the keyboard for persistent use.

7

### TROUBLESHOOTING TIPS

#### Power Saving Notice:

The keyboard enters sleep mode after 10 minutes of inactivity. If you plan to leave your keyboard unused for more than an hour, set the power switch to **OFF** to conserve battery life.

**If your keyboard does not work after installation, please try the following:**

#### Check the Battery or Connection:

Ensure the keyboard's battery is charged or that it is connected via USB to a desktop PC or laptop. You can enable the RGB LED lights and set them to maximum brightness to verify the power.

**Bluetooth Connection:** Verify that the Bluetooth connection has been correctly set up on your tablet or computer by following the instructions in the Bluetooth Connection Setup section of this guide. Note that the maximum Bluetooth/wireless range is 30 feet.

**Wireless 2.4GHz Mode:** If using 2.4GHz wireless mode, ensure the USB receiver is securely plugged into your laptop or PC.

**Operating System Compatibility:** Make sure your operating system is Windows 7 or above.

**Restore default settings:** press Fn+Backspace keys and hold 3 seconds to restore to factory default settings if needed.

**OS switching:** press and hold Fn+M keys for 3 seconds to switch the OS between Windows and Mac OS, if the keyboard do not recognise your system automatically.

8